

THE ORIGINAL WHOLE-HOUSE AIR PURIFIER

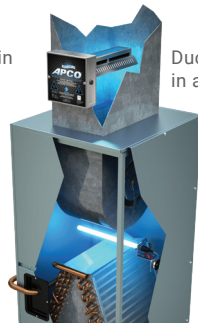
APCO® cleans the air by combining UVC light and activated carbon; two technologies proven to be most effective at killing germs, and removing odors by reducing chemical vapors known as volatile organic compounds (VOCs). Some of them, like formaldehyde and acetone, are known to be toxic.

FEATURES/BENEFITS

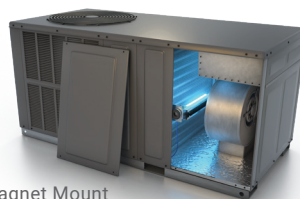
| | |
|-----------------------|----------------------------------|
| Duct or magnet mount | Whole-house air purification |
| Easy to install | Neutralizes odors & toxic VOCs |
| Lifetime carbon cells | Fights mold, bacteria, & viruses |
| Ozone-free | Improves indoor air quality |
| Lifetime warranty | Inhibits HVAC mold growth |



Duct Mount in furnace



Duct Mount Dual in air handler



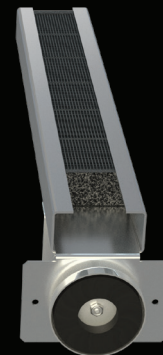
Magnet Mount in package unit



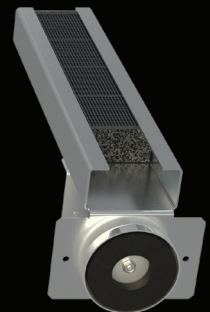
Duct Mount RT (for smaller ducts)



Duct Mount



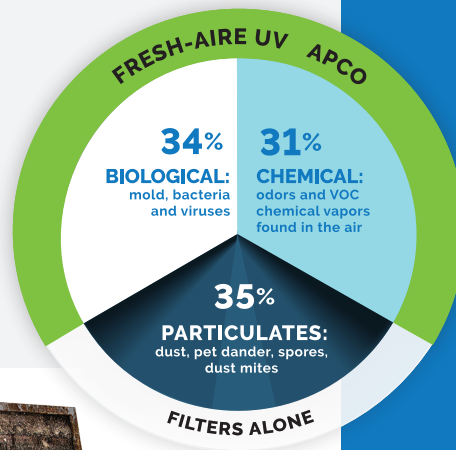
Magnet Mount 15



Magnet Mount 11

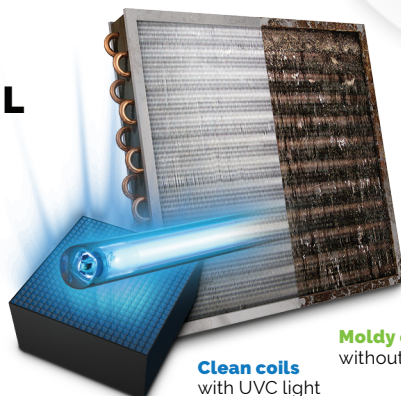
SAFELY AND EFFECTIVELY TREAT THE OTHER 2/3RDS

Conventional filters are only effective against particulates, like dust. APCO® is proven to safely reduce both biological and chemical contaminants inside the air system and throughout the building. Together, they address 99+% of the contaminants in the air.



CLEANS THE COIL AND DRAIN PAN

Helps keep the HVAC system running efficiently and extend its life.



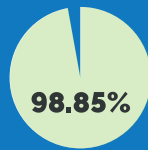
Clean coils with UVC light

Moldy coils without UVC light

APCO Neutralizes Mold, Bacteria, Viruses, and Allergens

We are committed to developing and validating our products. APCO Testing achieved incredible results:

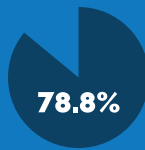
Fresh-Aire UV systems are not intended to diagnose, treat, prevent, or cure any disease.



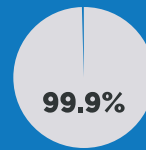
Bacteria (S.epideridis)*



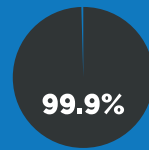
Viruses (MS2 coliphage)*



Mold (A.niger)*



Odors (VOCs)*



SARS-CoV-2 virus within 3 seconds of exposure**

* % Reduction of common indoor air contaminants over 4 hours. Tested at airflow velocity of 492-fpm (0.93m3/sec)

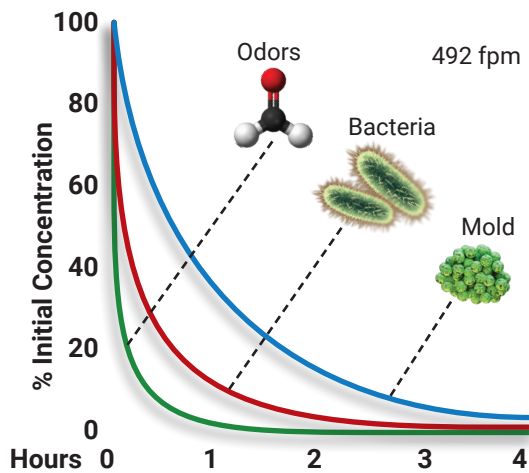
**The SARS-CoV-2 virus test was conducted at a distance of 6" on test surfaces in a laboratory setting.

TECHNICAL DATA

APCO® utilizes proprietary UV-reactive carbon cells to disinfect the air and neutralize odors and volatile organic compounds (VOCs) in the indoor air. The system uses specially prepared adsorption media to capture VOCs, then, with the help of a 254 nm germicidal UVC lamp, the captured constituents are neutralized through an innovative reaction process which breaks them down into elemental carbon dioxide and water vapor.



APCO Carbon % Reduction of Common Indoor Air Contaminants Over 4 Hours

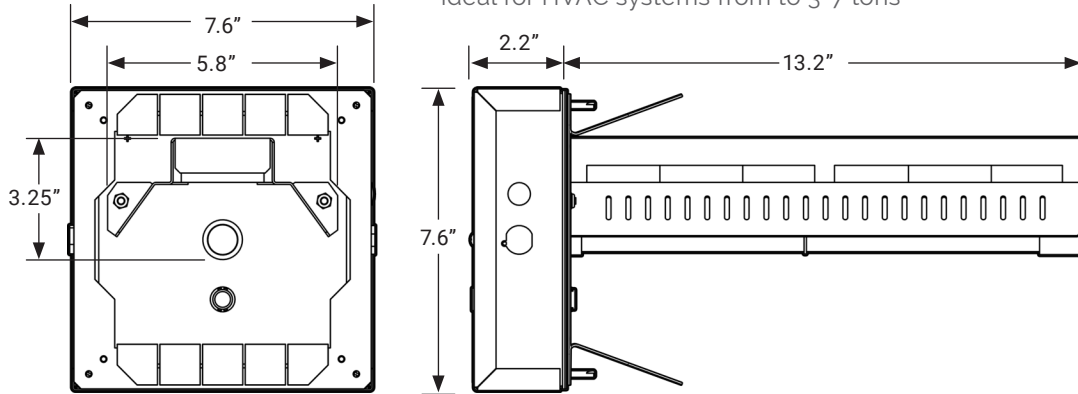


The monolithic carbon cells in APCO® are regenerative. Under normal operation it requires no maintenance and does not need to be replaced. Additionally, the UVC light in APCO® disinfects the moving air stream reducing airborne mold, bacteria, and viruses. The UV light also reduces any build up of mold within the air handler and ducts.

| APCO TECHNICAL DATA | |
|---------------------|---|
| UV Lamp | 254 nm Germicidal UVC Spectrum Quartz Hot Filament |
| Carbon Cell | Advanced Monolithic Adsorptive Carbon cell with proprietary absorption j and proven TiO2 photo-catalyst |
| Cell per In2 | 16 |
| Cell Surface Area | 250 m2/gm |
| Bulk Density | 1.44 gm/cm2 |
| Pressure Drop | <0.01" w.c. @ 400 FPM |
| VOC Activity | 40-60% absorption per pass |
| Max Operating Temp. | 400 degrees F |

APCO CARBON

- High or low-voltage internal power supply
- Slotted flanges enhance air flow
- Ideal for HVAC systems from to 3-7 tons



18-32 VAC MODELS

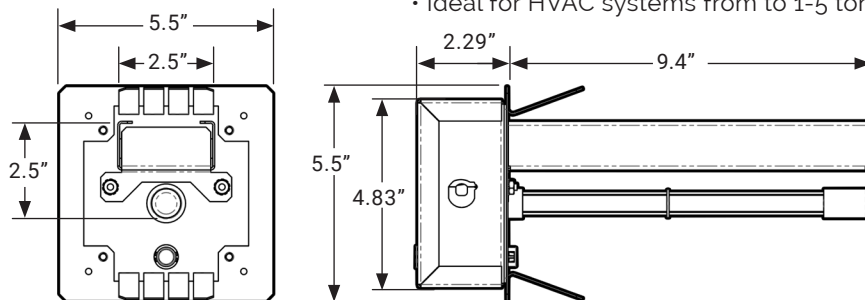
TUV-APCO-ER
TUV-APCO-ER2
TUV-APCO-DER
TUV-APCO-DER2

120-277 VAC MODELS

TUV-APCO-SIP2
TUV-APCO-DIP2

APCO RT

- High or low-voltage remote power supply
- Requires only 10" clearance within the duct
- Ideal for HVAC systems from to 1-5 tons



18-32 VAC RT MODELS

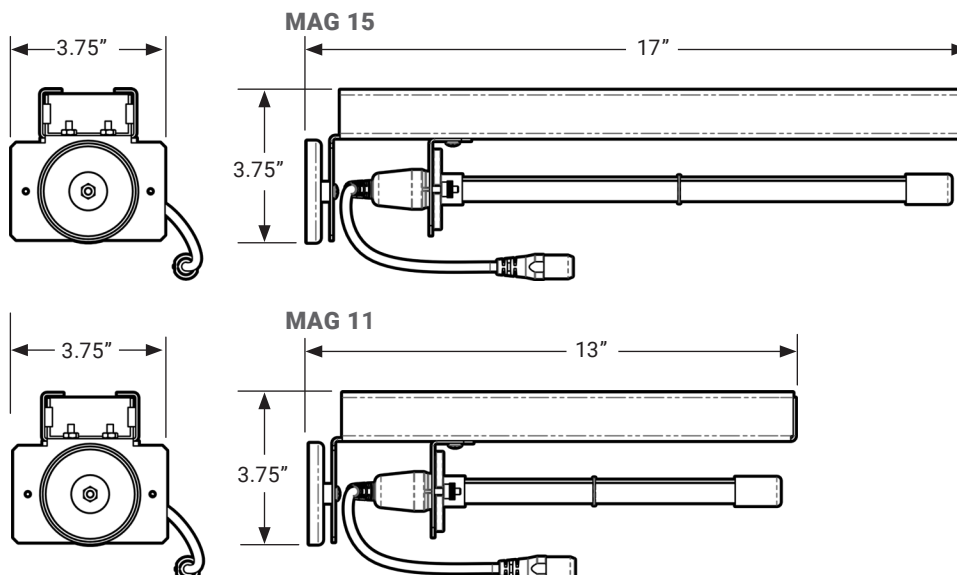
TUV-APCO-RT-ER2

120-277 VAC RT MODELS

TUV-APCO-RT-ST2
TUV-APCO-RT-DT2

APCO MAG

- High or low-voltage remote power supply
- Removable magnet for internal mounting
- Ideal for package units



18-32 VAC MAG 15 MODELS

TUV-APCO-MAG15-ER2

120-277 VAC MAG 15 MODELS

TUV-APCO-MAG15-DT2

18-32 VAC MAG 11 MODELS

TUV-APCO-MAG11-ER2

| Original APCO Specs | | |
|--|--|---------------------|
| UV Lamp | 254 nm germicidal UVC, quartz hot filament | |
| Dimensions | Cell & Lamp: 5.8"W x 3.25"H x 13.2"D Enclosure: 7.6"L x 7.6"W x 2.2"D | |
| ER models Electrical | 18-32 VAC, 60 Hz, 0.68 Amps, 16 VA | |
| SI DI models Electrical | 120-277 VAC, 50/60 Hz, 0.41 amp/120V thru 0.18amp/277V | |
| Pressure Drop | <0.01" w.c. @ 400 FPM | |
| Warranty | Lifetime for all parts except lamp | |
| Part Numbers | | |
| 18-32 VAC | Replacement Lamp | |
| TUV-APCO-ER | 1 Year Lamp | TUVL-115 |
| TUV-APCO-ER2 | 2 Year Lamp | TUVL-215 |
| 18-32 VAC with 2nd UV Lamp for Coils | Replacement Lamp | |
| TUV-APCO-DER | 1 Year Lamp (2) | TUVL-115, TUVL-115P |
| TUV-APCO-DER2 | 2 Year Lamp (2) | TUVL-215, TUVL-115P |
| 120-277 VAC | Replacement Lamp | |
| TUV-APCO-SI2-P | 2 Year Lamp | TUVL-215 |
| 120-277 VAC with 2nd UV Lamp for Coils | Replacement Lamp | |
| TUV-APCO-DI2-P | 2 Year Lamps (2) | TUVL-215, TUVL-215P |

| APCO RT Specs | | |
|--|---|---------------------|
| UV Lamp | 254 nm germicidal UVC, quartz hot filament | |
| Dimensions | Cell & Lamp: 2.5"W x 2.5"H x 9.4"D Enclosure: 4.83"L x 4.83"W x 2.29"D | |
| ER models Electrical | 18-32 VAC, 60 Hz, 0.68 Amps, 16 VA | |
| ST DT models Electrical | 120-277 VAC, 50/60 Hz, 0.41 amp/120V thru 0.18amp/277V | |
| Pressure Drop | <0.01" w.c. @ 400 FPM | |
| Warranty | Lifetime for all parts except lamp | |
| Part Numbers | | |
| 18-32 VAC | Replacement Lamp | |
| TUV-APCO-RT-ER2 | 2 Year Lamp | TUVL-211 |
| 18-32 VAC with 2nd UV Lamp for Coils | Replacement Lamp | |
| TUV-APCO-RT-ST2 | 2 Year Lamp (2) | TUVL-211 |
| 120-277 VAC with 2nd UV Lamp for Coils | Replacement Lamp | |
| TUV-APCO-RT-DT2 | 2 Year Lamps (2) | TUVL-211, TUVL-215P |

| APCO Mag Specifications | | |
|---------------------------|--|-----------|
| UV Lamp | 254 nm germicidal UVC, quartz hot filament | |
| PCO Cell | Advanced Monolithic Adsorptive PCO cell with proprietary absorption media and proven TiO2 photo-catalyst | |
| Pressure Drop | <0.01" w.c. @ 400 FPM | |
| Dimensions | APCO MAG11 5.5"W x 4"H x 13"D APCO MAG15 5.5"W x 4"H x 17"D | |
| Pressure Drop | <0.01" w.c. @ 400 FPM | |
| Electrical ER Series | 18-32 VAC, 60 Hz, 0.68 Amps, 16 VA Low-voltage power-supply | |
| Electrical ST / DT Series | 120-277 VAC, 50/60 Hz, 0.41 amp/120V thru 0.18amp/277V High-voltage power-supply | |
| Warranty | Lifetime for all parts except lamp | |
| APCO Mag 11 Part Numbers | | |
| 18-32 VAC | Replacement Lamp | |
| TUV-APCO-MAG11-ER2 | 2 Year Lamp | TUVL-211P |
| APCO Mag 15 Part Numbers | | |
| 18-32 VAC | Replacement Lamp | |
| TUV-APCO-MAG15-ER2 | 2 Year Lamp | TUVL-215P |
| 120-277 VAC | Replacement Lamp | |
| TUV-APCO-MAG15-DT2 | 2 Year Lamp (2) | TUVL-215P |



DESIGNED & ASSEMBLED IN THE U.S.A.